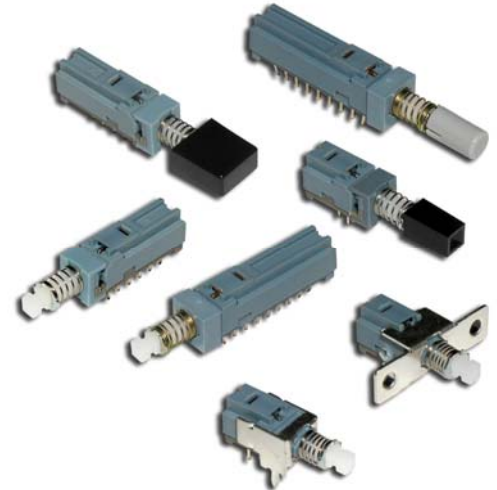


SPECIFICATIONS

Electrical Ratings	100mA @ 30 VDC
Electrical Life	30,000 cycles typical
Contact Resistance	< 50 mΩ max initial @ 2-4VDC, 100mA
Dielectric Strength	1250Vrms min
Insulation Resistance	> 100MΩ min
Operating Temperature	-20°C to 70°C
Storage Temperature	-40°C to 85°C



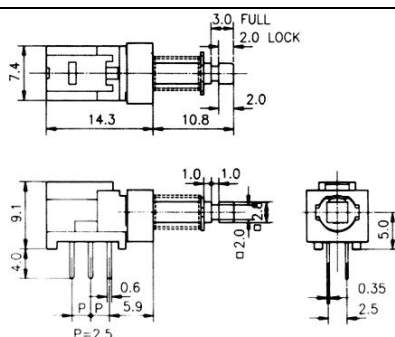
MATERIALS ←RoHS COMPLIANT

Actuator	POM, UL94-HB
Housing	PBT, UL94-HB
Terminal Base	6/6 Nylon, UL94-HB
Contacts	Phosphor Bronze, Ag plated
Terminals	Brass, Ag plated
Chassis	Steel
Spring	Steel
Latching Pin	Steel

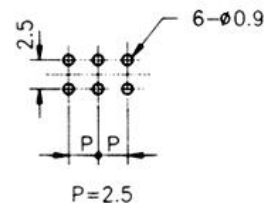
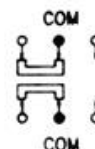
ORDERING INFORMATION

Series:	RPH	2	N	P	C012
Number of Poles:	2 = DPDT 4 = 4PDT 6 = 6PDT				
Switch Function:	N = Non-latching L = Latching				
Terminal Options:	P = PC Terminals S = Snap-In PC Terminals				
Mounting Options:	Blank = No Chassis (standard) C = Mounting Chassis, Single Stage Z = PC Mounting Bracket				
Caps:	Blank = No Cap C01 C02 C03 C04 C05				
Cap Colors:	** See Cap Options for color availability				

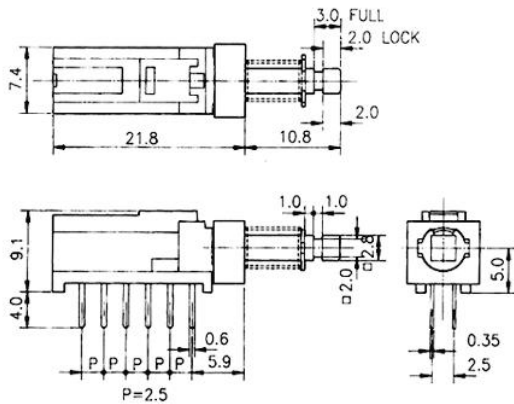
DIMENSIONS - DPDT



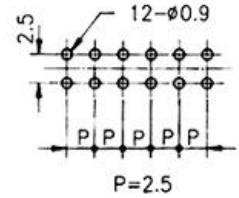
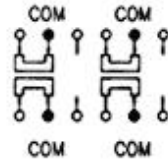
SCHEMATIC & PC LAYOUT



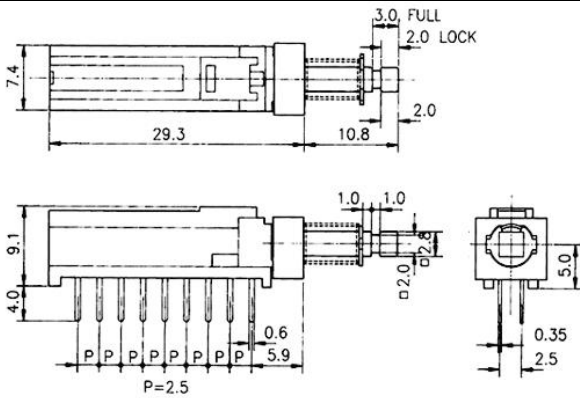
DIMENSIONS – 4PDT



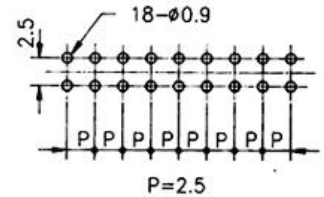
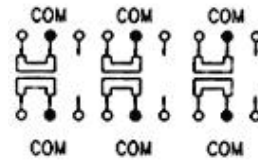
SCHEMATIC & PC LAYOUT



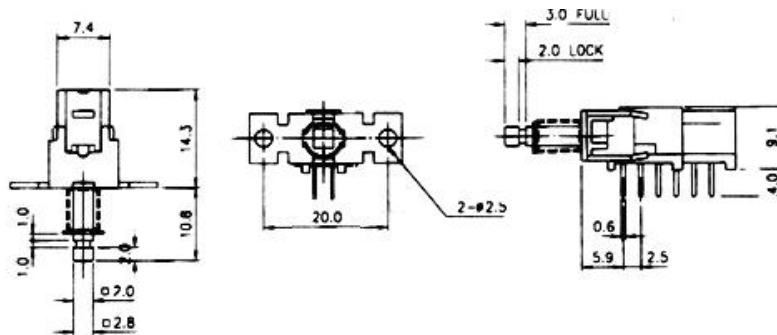
DIMENSIONS – 6PDT



SCHEMATIC & PC LAYOUT

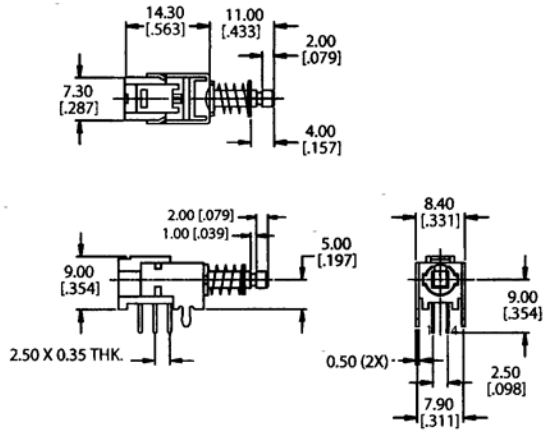


MOUNTING OPTIONS

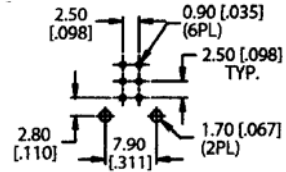


C - SINGLE STAGE CHASSIS

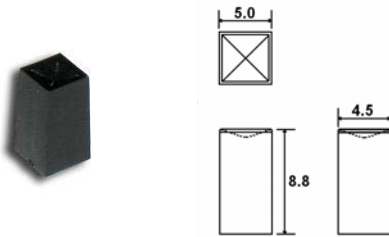
MOUNTING OPTIONS



Z – PC MOUNTING BRACKET

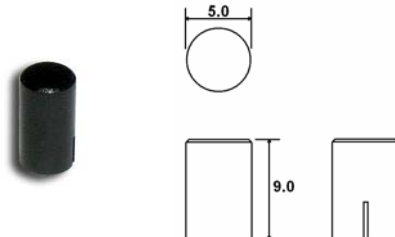


CAP OPTIONS



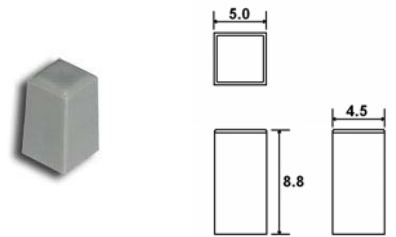
C01_

1 = White, 2 = Black, 3 = Red, 9 = Light Gray
 Contact Factory for other available colors



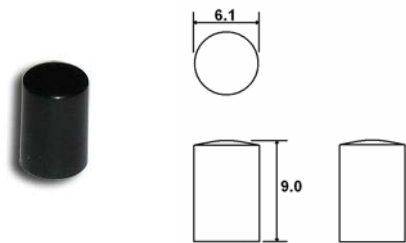
C02_

1 = White, 2 = Black, 3 = Red, 9 = Light Gray
 Contact Factory for other available colors



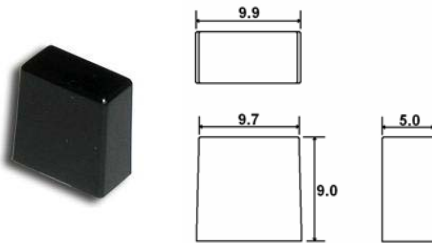
C03_

1 = White, 2 = Black, 3 = Red, 9 = Light Gray
 Contact Factory for other available colors



C04_

1 = White, 2 = Black, 3 = Red, 9 = Light Gray
 Contact Factory for other available colors



C05_

1 = White, 2 = Black, 3 = Red, 9 = Light Gray
 Contact Factory for other available colors